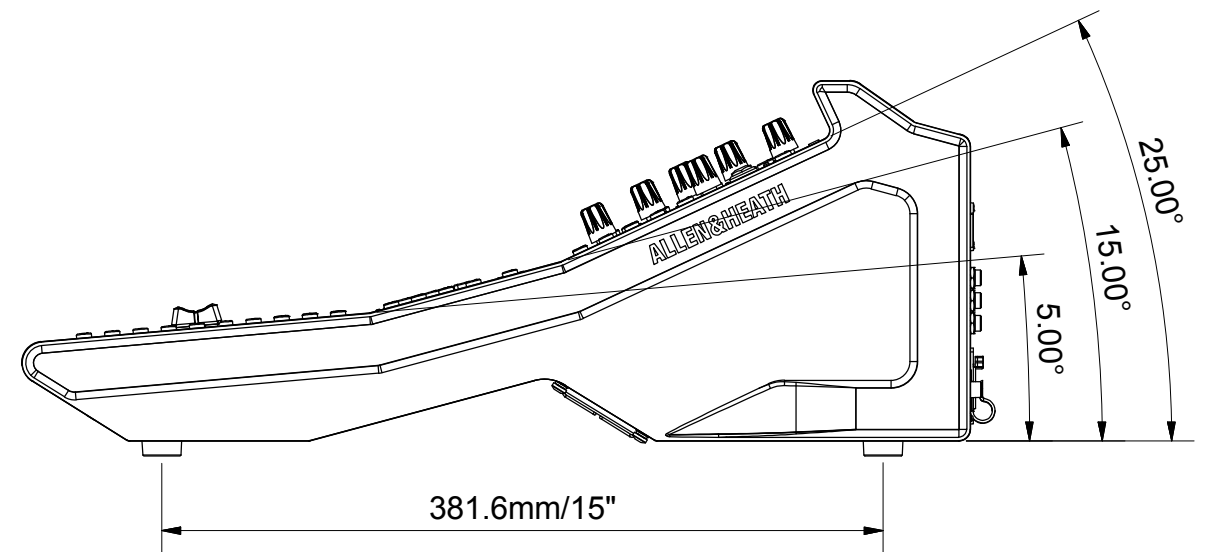
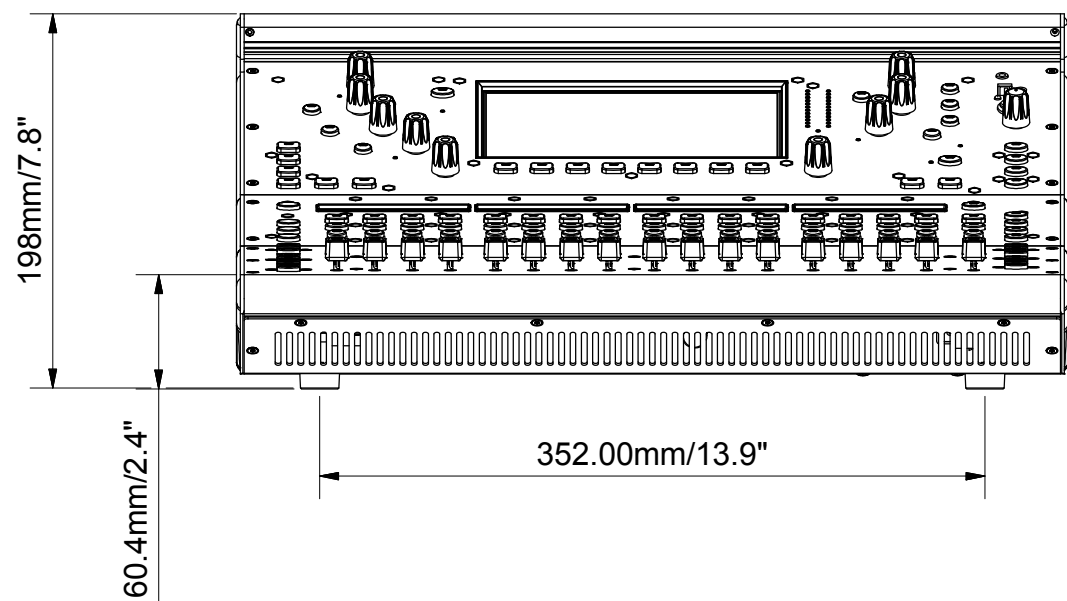


**SQ-5 - without box**  
 Width - 440mm/17.3"  
 Depth - 514.9mm/20.3"  
 Height - 198mm/7.8"  
 Weight - 10.5kg/23.1lbs

**SQ-5 - with box**  
 Width - 610mm/24"  
 Depth - 680mm/26.8"  
 Height - 360mm/14.2"  
 Weight - 14kg/30.9lbs



REVISION HISTORY				
REV	DESCRIPTION	ECN	DATE	APPROVED
1	PILOT RUN		07/06/2017	ALEXMO

THIRD ANGLE PROJECTION 	MATERIAL:	FINISH:	DRAWING		<b>ALLEN &amp; HEATH Ltd.</b> KERNICK INDUSTRIAL ESTATE PENRYN CORNWALL TR10 9LU TELEPHONE 01326 372070 FACSIMILE 01326 370153
	All materials to be compliant with The Restriction of Hazardous Substances (ROHS2) Directive 2011/65/EU <b>TOLERANCES U O S:</b> GENERAL ± 0.25 HOLE CENTRES ± 0.10 HOLE SIZES ± 0.05 ANGULAR DIMS ± 0.50°			MAIN ASSY UNIT SQ-5	
			PART No 007-193	DRAWING No Weights and Measures SQ-5	SHEET 1 of 1 ISSUE 1