

Zoom Lens

This zoom lens is designed for use with Panasonic's applicable projectors. The lens makes it possible to vary the projection distance by changing the focal distance.

NOTE: The lens cannot be used by itself. It must be mounted onto the specified Panasonic DLP™ projector.

Specifications

F value:	1.7-1.9								
Focal distance (f):	25.6-35.7 mm								
Dimensions (W × H × D):	95 × 95 × 166 mm (3-3/4 × 3-3/4 × 6-17/32 inches)								
Weight:	0.9 kg (2.0 lbs)								
Applicable projector:	<table border="0"> <tr> <td>Group A</td> <td>PT-DZ870K/DZ870LK/DZ870W/DZ870LW/DW830K/DW830LK/DW830W/DW830LW/DX100K/DX100LK/DX100W/DX100LW</td> </tr> <tr> <td>Group B</td> <td>PT-DZ770K/DZ770LK/DZ770S/DZ770LS/DW740S/DW740LS/DW740K/DW740LK/DW730S/DW730LS/DW730K/DW730LK/DX810S/DX810LS/DX810K/DX810LK/DX800S/DX800LS/DX800K/DX800LK/DZ680K/DZ680LK/DZ680S/DZ680LS/DW640K/DW640LK/DW640S/DW640LS/DX610K/DX610LK/DX610S/DX610LS/DZ6710/DZ6710L/DZ6700/DZ6700L/DW6300S/DW6300LS/DW6300K/DW6300LK/D6000S/D6000LS/D6000K/D6000LK/D5000S/D5000LS</td> </tr> <tr> <td>Group C</td> <td>PT-RZ970/RZ970L/RW930/RW930L/RX110/RX110L/RZ770/DZ770L/RW730/RW730L/RZ660/RZ660L/RW620/RW620L/RZ670/DZ670L/RW630/RW630L</td> </tr> <tr> <td>Group D</td> <td>PT-DZ780/DZ780L/DW750/DW750L/DX820/DX820L</td> </tr> </table>	Group A	PT-DZ870K/DZ870LK/DZ870W/DZ870LW/DW830K/DW830LK/DW830W/DW830LW/DX100K/DX100LK/DX100W/DX100LW	Group B	PT-DZ770K/DZ770LK/DZ770S/DZ770LS/DW740S/DW740LS/DW740K/DW740LK/DW730S/DW730LS/DW730K/DW730LK/DX810S/DX810LS/DX810K/DX810LK/DX800S/DX800LS/DX800K/DX800LK/DZ680K/DZ680LK/DZ680S/DZ680LS/DW640K/DW640LK/DW640S/DW640LS/DX610K/DX610LK/DX610S/DX610LS/DZ6710/DZ6710L/DZ6700/DZ6700L/DW6300S/DW6300LS/DW6300K/DW6300LK/D6000S/D6000LS/D6000K/D6000LK/D5000S/D5000LS	Group C	PT-RZ970/RZ970L/RW930/RW930L/RX110/RX110L/RZ770/DZ770L/RW730/RW730L/RZ660/RZ660L/RW620/RW620L/RZ670/DZ670L/RW630/RW630L	Group D	PT-DZ780/DZ780L/DW750/DW750L/DX820/DX820L
Group A	PT-DZ870K/DZ870LK/DZ870W/DZ870LW/DW830K/DW830LK/DW830W/DW830LW/DX100K/DX100LK/DX100W/DX100LW								
Group B	PT-DZ770K/DZ770LK/DZ770S/DZ770LS/DW740S/DW740LS/DW740K/DW740LK/DW730S/DW730LS/DW730K/DW730LK/DX810S/DX810LS/DX810K/DX810LK/DX800S/DX800LS/DX800K/DX800LK/DZ680K/DZ680LK/DZ680S/DZ680LS/DW640K/DW640LK/DW640S/DW640LS/DX610K/DX610LK/DX610S/DX610LS/DZ6710/DZ6710L/DZ6700/DZ6700L/DW6300S/DW6300LS/DW6300K/DW6300LK/D6000S/D6000LS/D6000K/D6000LK/D5000S/D5000LS								
Group C	PT-RZ970/RZ970L/RW930/RW930L/RX110/RX110L/RZ770/DZ770L/RW730/RW730L/RZ660/RZ660L/RW620/RW620L/RZ670/DZ670L/RW630/RW630L								
Group D	PT-DZ780/DZ780L/DW750/DW750L/DX820/DX820L								

Dimensions

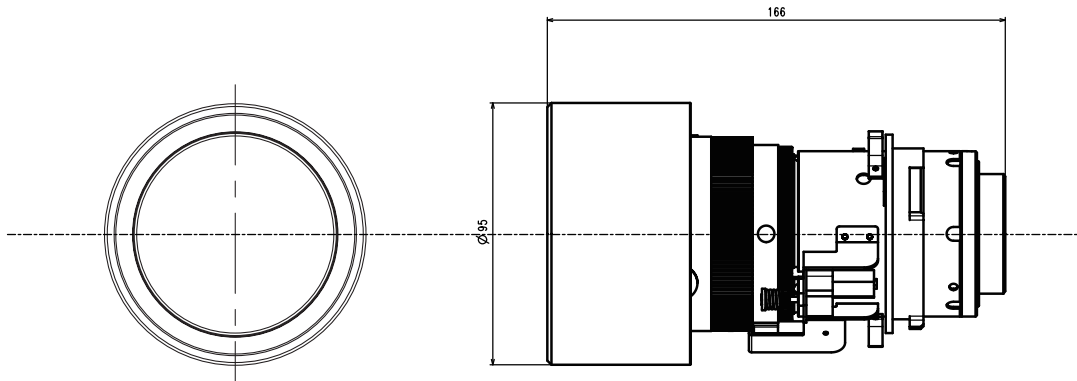
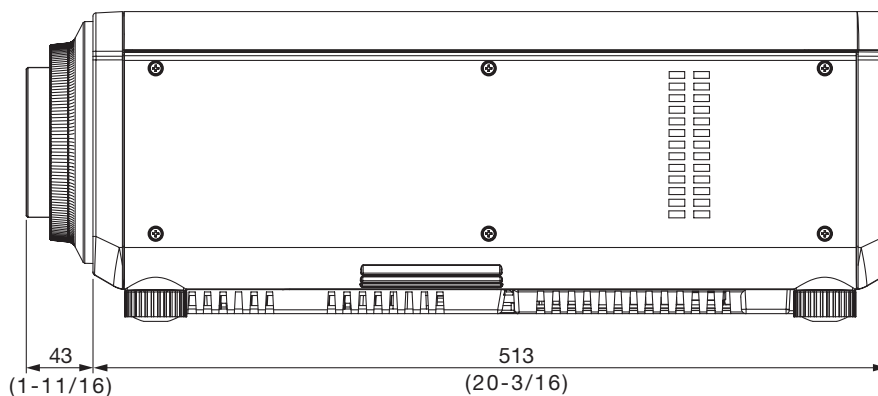


Illustration shows the lens attached to an applicable projector.

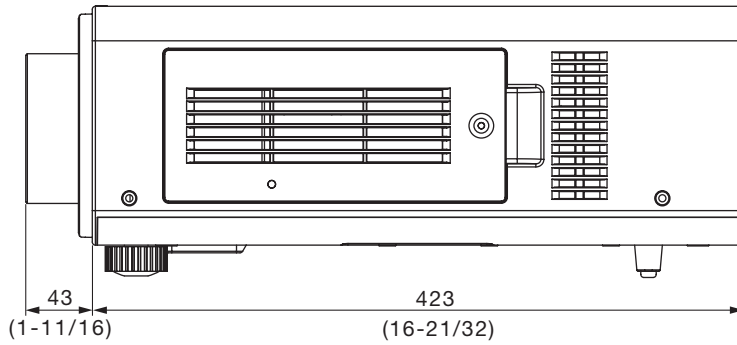
[Group A]



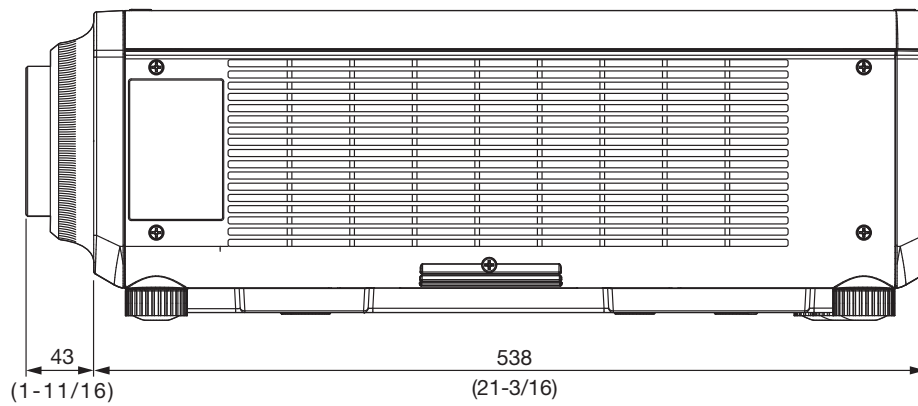
unit : mm (inch)

NOTE: This illustration is not drawn to scale.

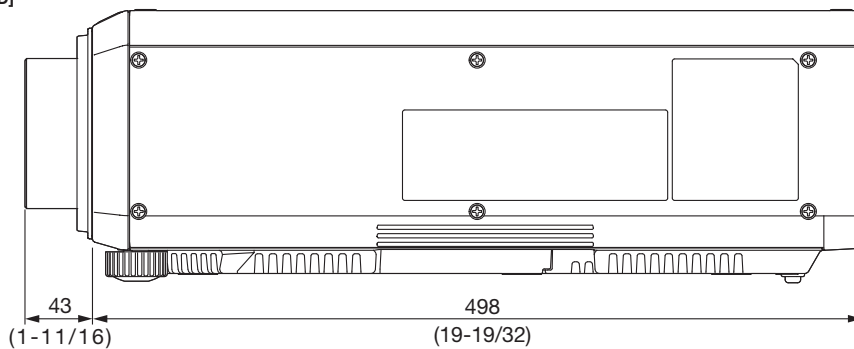
[Group B]



[Group C]



[Group D]



unit : mm (inch)
NOTE: This illustration is not drawn to scale.

For information on the projection distance, refer to the specifications for the projector to which the lens will be mounted.
DLP is a trademark of Texas Instruments. Weights and dimensions shown are approximate. Specifications subject to change without notice.