

This is a zoom lens for mounting onto the PT-D6000S or other single-chip DLP™ projector. The focal length can be changed to enable various projection distances.

NOTE: The lens cannot be used by itself. It must be mounted onto the specified Panasonic DLP™ projector.

Specifications

F value:	1.85–2.20
Focal distance (f):	11.8 mm–14.6 mm
Dimensions (W × H × D):	140 × 140 × 206 mm (5-1/2" × 5-1/2" × 8-1/8")
Weight:	1.3 kg (2.9 lbs)

Dimensions

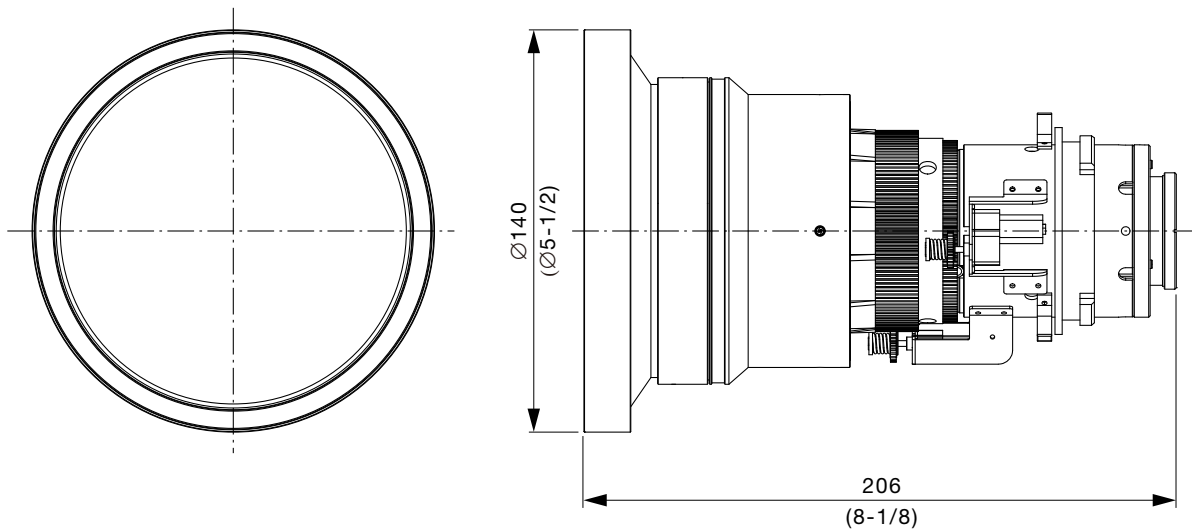
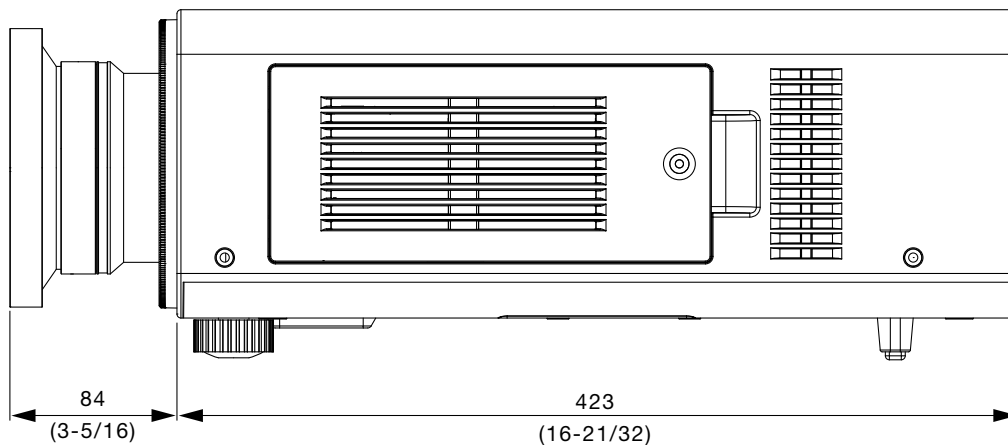


Illustration shows the lens attached to the PT-DZ6710/DZ6710L/DZ6700/DZ6700L/DW6300S/DW6300LS/DW6300K/DW6300LK/D6000S/D6000LS/D6000K/D6000LK/D5000S/D5000LS.



unit : mm (inch)
NOTE: This illustration is not drawn to scale.

For information on the projection distance, refer to the specifications for the projector to which the lens will be mounted.
 DLP is a trademark of Texas Instruments. Weights and dimensions shown are approximate. Specifications subject to change without notice.